



**PARK & SLIDE**  
SLIDING SPACE SOLUTIONS



**THE ULTIMATE**  
**PARKING SOLUTION**

# P&S 1000

The Original Park and Slide

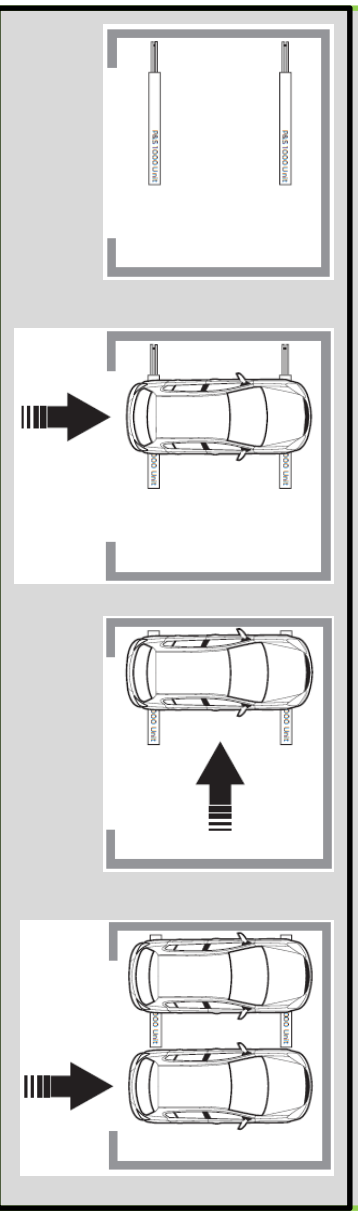
- The P&S 1000 is designed to open up previously unusable space by allowing a vehicle to slide into inaccessible space, creating an additional parking spot in a residential or commercial garage
- This can be applied to private residential homes where a double garage exists in dimensions, but access is difficult due to the size of the garage door
- P&S 1000 can be applied to commercial parking lots and garages as well where spaces may be blocked by structural columns or other obstructions
- Park and Slide will allow a vehicle to park on the slides located in an adjacent parking space, slide the car over into the blocked or inaccessible parking space, while still allowing another vehicle to be parked next to it in the available space.

## Product Features

- Patented ball bearing slide system bolted to the floor
- Steel sliding plates interlock on top of the ball bearing slides
- The patented slide system allows the vehicles to “slide” effortlessly sideways
- Standard travel is 4 feet, with an optional extension kit creating a full 8 feet of slide distance
- Constructed of 100% galvanized steel
- Integrated floor-mounted stop to regulate sliding distance
- Sold as a pair, or singles to be used with the P&S 2000 and 3000
- Installed for fixed wheel bases and is used to park the same make/model of vehicle

## Product Applications:

- Private residential garages
- Storage facilities
- Commercial valet-operated parking garage facilities
- Limitless custom applications





**PARK & SLIDE**

SLIDING SPACE SOLUTIONS



**THE ULTIMATE  
PARKING SOLUTION**

## P&S 2000

Multi-Wheelbase Park and Slide

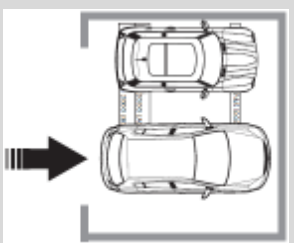
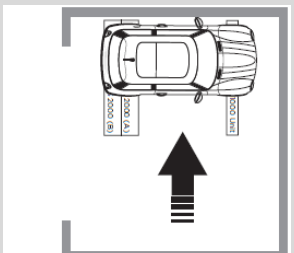
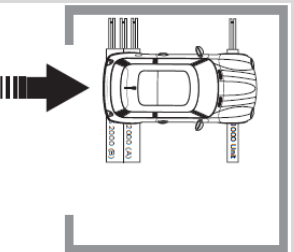
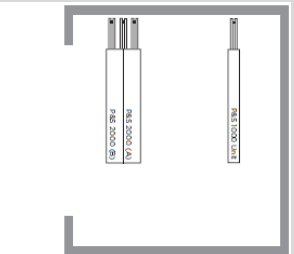
- The P&S 2000 is designed to open up previously unusable space by allowing a vehicle to slide into inaccessible space, creating an additional parking spot in a residential or commercial garage
- This can be applied to private residential homes where a double garage exists in dimensions, but access is difficult due to the size and orientation of the garage door
- P&S 2000 can be applied to commercial parking lots and garages as well where spaces may be blocked by structural columns or other obstructions
- Park and Slide will allow a vehicle to park on the slides located in an adjacent parking space, slide the car over into the blocked parking space, while still allowing another vehicle to be parked next to it in the available space.

### Product Features

- Patented ball bearing slide system bolted to the floor
- Steel sliding plates interlock on top of the ball bearing slides
- The patented slide system allows the vehicles to “slide” effortlessly
- Standard travel is 4 feet, with an optional extension kit creating a full 8 feet of slide distance
- Constructed of 100% galvanized steel
- Integrated floor-mounted stop to regulate sliding distance
- Sold as single to be used with the P&S 1000 as a kit
- Accommodates the widest range of vehicle makes and models for day to day parking operation

### Product Applications:

- Private residential garages
- Storage facilities
- Commercial valet-operated parking garage facilities
- Limitless custom applications





**PARK & SLIDE**  
SLIDING SPACE SOLUTIONS

**THE ULTIMATE**  
**PARKING SOLUTION**

# P&S 3000

Platform Extension Panel with Single Slide Rail Unit

- The P&S 3000 is designed to increase the capacity, range, and flexibility of the P&S 2000.
- By adding incremental P&S 3000 units, you can lengthen the overall parking surface and allow greater lengths of vehicles to be parked and slid.
- P&S 3000 can be applied to commercial parking lots and garages as well.
- Spaces that are blocked by structural columns or other obstructions
- Park and Slide will allow a vehicle to park on the slides located in an adjacent parking space, slide the car over into the blocked parking space, while still allowing another vehicle to be parked next to it in the available space.

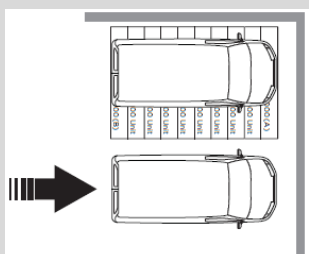
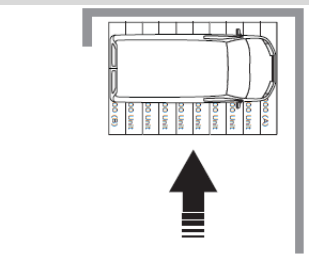
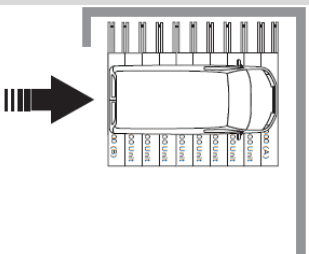
#### Product Features

- Patented ball bearing slide system bolted to the floor
- Steel sliding plates interlock on top of the ball bearing slides
- Segmented center plates to increase the size of the platform
- The patented slide system allows the vehicles to “slide” effortlessly
- Standard travel is 4 feet, with an optional extension kit creating a full 8 feet of slide
- Constructed of 100% galvanized steel
- Integrated floor-mounted stop to regulate sliding distance
- Sold as single to be used with the P&S 1000, or on its own
- Accommodates the widest range of vehicle makes and models for day to day parking operation

#### Product Applications:

- Private residential garages
- Storage facilities
- Commercial valet-operated parking garage facilities
- Limitless custom applications

1	P&S 3000 (A)
2	P&S 3000 (A)
3	P&S 3000 (A)
4	P&S 3000 (A)
5	P&S 3000 (A)
6	P&S 3000 (A)
7	P&S 3000 (A)
8	P&S 3000 (A)
9	P&S 3000 (A)
10	P&S 3000 (A)
11	P&S 3000 (A)
12	P&S 3000 (A)
13	P&S 3000 (A)
14	P&S 3000 (A)
15	P&S 3000 (A)
16	P&S 3000 (A)
17	P&S 3000 (A)
18	P&S 3000 (A)
19	P&S 3000 (A)
20	P&S 3000 (A)
21	P&S 3000 (A)
22	P&S 3000 (A)
23	P&S 3000 (A)
24	P&S 3000 (A)
25	P&S 3000 (A)
26	P&S 3000 (A)
27	P&S 3000 (A)
28	P&S 3000 (A)
29	P&S 3000 (A)
30	P&S 3000 (A)
31	P&S 3000 (A)
32	P&S 3000 (A)
33	P&S 3000 (A)
34	P&S 3000 (A)
35	P&S 3000 (A)
36	P&S 3000 (A)
37	P&S 3000 (A)
38	P&S 3000 (A)
39	P&S 3000 (A)
40	P&S 3000 (A)
41	P&S 3000 (A)
42	P&S 3000 (A)
43	P&S 3000 (A)
44	P&S 3000 (A)
45	P&S 3000 (A)
46	P&S 3000 (A)
47	P&S 3000 (A)
48	P&S 3000 (A)
49	P&S 3000 (A)
50	P&S 3000 (A)
51	P&S 3000 (A)
52	P&S 3000 (A)
53	P&S 3000 (A)
54	P&S 3000 (A)
55	P&S 3000 (A)
56	P&S 3000 (A)
57	P&S 3000 (A)
58	P&S 3000 (A)
59	P&S 3000 (A)
60	P&S 3000 (A)
61	P&S 3000 (A)
62	P&S 3000 (A)
63	P&S 3000 (A)
64	P&S 3000 (A)
65	P&S 3000 (A)
66	P&S 3000 (A)
67	P&S 3000 (A)
68	P&S 3000 (A)
69	P&S 3000 (A)
70	P&S 3000 (A)
71	P&S 3000 (A)
72	P&S 3000 (A)
73	P&S 3000 (A)
74	P&S 3000 (A)
75	P&S 3000 (A)
76	P&S 3000 (A)
77	P&S 3000 (A)
78	P&S 3000 (A)
79	P&S 3000 (A)
80	P&S 3000 (A)
81	P&S 3000 (A)
82	P&S 3000 (A)
83	P&S 3000 (A)
84	P&S 3000 (A)
85	P&S 3000 (A)
86	P&S 3000 (A)
87	P&S 3000 (A)
88	P&S 3000 (A)
89	P&S 3000 (A)
90	P&S 3000 (A)
91	P&S 3000 (A)
92	P&S 3000 (A)
93	P&S 3000 (A)
94	P&S 3000 (A)
95	P&S 3000 (A)
96	P&S 3000 (A)
97	P&S 3000 (A)
98	P&S 3000 (A)
99	P&S 3000 (A)
100	P&S 3000 (A)





**PARK & SLIDE**

SLIDING SPACE SOLUTIONS



**THE ULTIMATE**  
**PARKING SOLUTION**

# P&S 4000

## Motorcycle Turntable and Slide

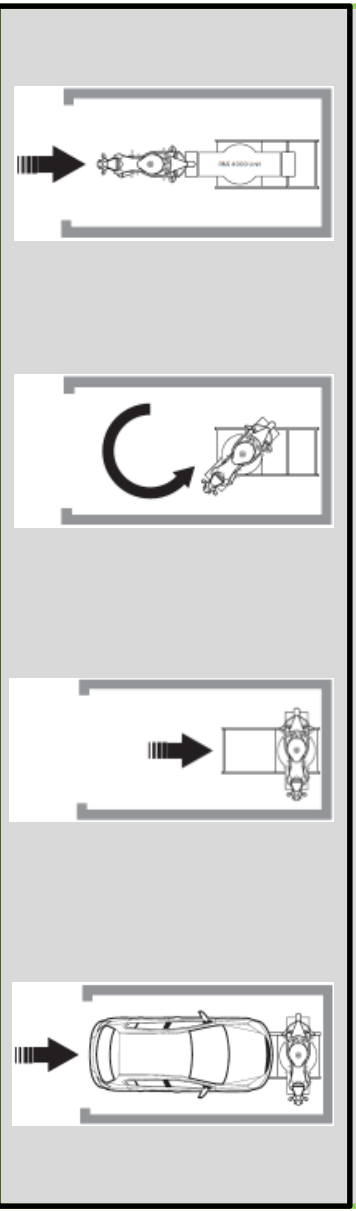
- The P&S 4000 has been created with the motorcycle enthusiast in mind
- This unit is designed to accommodate a wide range of motorcycles in garage with very limited space.
- P&S 4000 allows for maneuver free, quick, easy storage
- The unit allows the rider to ride directly onto the platform, park the motorcycle, rotate the turntable, and slide the motorcycle into a convenient location within the garage.
- Designed to enable a car to be parked over the slide tracks close to the motorcycle
- Key design, no longer does a motorcycle rider have to reverse out of the garage or perform multi-turn maneuvers. Just spin the turntable so the motorcycle is facing directly out and ride straight off.

### Product Features

- Patented ball bearing slide system bolted to the floor
- Patented ball bearing turntable system with rotating platform
- Locking ramps ensure safety and stability
- The patented slide system allows the vehicles to “slide” effortlessly
- Offers 4 feet of slide
- Constructed of 100% galvanized steel
- Integrated floor-mounted stop to regulate sliding distance
- Sold as single unit
- Accommodates standard motorcycles available on the consumer market

### Product Applications:

- Private residential garages
- Storage facilities
- Commercial valet-operated parking garage facilities
- Limitless custom applications





**PARK & SLIDE**

SLIDING SPACE SOLUTIONS



**THE ULTIMATE  
PARKING SOLUTION**

## P&S 5000

Large Motorcycle, Lawn Tractor, Golf Cart, ATV, UTV Turntable and Slide

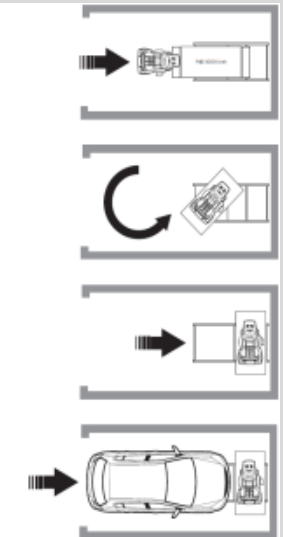
- The P&S 5000 has been created with the large motorcycle and utility vehicle owner in mind
- This unit has been designed to accommodate a wide range of motorcycles and utility vehicles in garage with very limited space.
- P&S 5000 allows for maneuver free, quick, easy storage
- The unit allows the rider/user to pull directly onto the platform, park the vehicle, rotate the turntable, and slide the vehicle into a convenient parking space within the garage.
- Designed to enable a car to be parked over the slide tracks close to the vehicle
- Key design, no longer does the vehicle have to be reversed out of the garage or perform multi-turn maneuvers. Just spin the turntable so the vehicle is facing out and drive straight off.

### Product Features

- Patented ball bearing slide system bolted to the floor
- Patented ball bearing turntable system with rotating platform
- Locking ramps ensure safety and stability
- The patented slide system allows the vehicles to “slide” effortlessly
- Offers 4 feet of slide
- Constructed of 100% galvanized steel
- Integrated floor-mounted stop to regulate sliding distance
- Sold as single unit
- Accommodates most motorcycles, ATVs, UTVs, Golf Carts, and Lawn equipment available on the consumer market

### Product Applications:

- Private residential garages
- Storage facilities
- Commercial valet-operated parking garage facilities
- Limitless custom applications





**PARK & SLIDE**

SLIDING SPACE SOLUTIONS



**THE ULTIMATE**  
**PARKING SOLUTION**

# P&S 6000

## Slide Rail Extension Unit

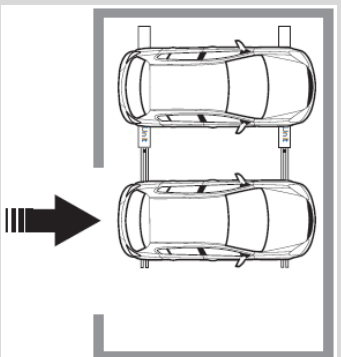
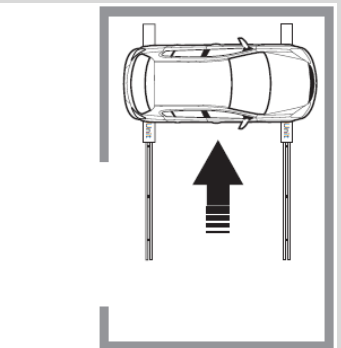
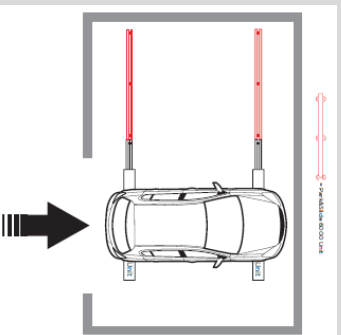
- The P&S 6000 is designed to increase the travel of the P&S 1000, 2000, and 3000
- This unit allows for greater movement and distance on the slide
- P&S 6000 is best utilized in garages or situations where 8 feet of travel or more is required
- The unit bolts on directly to the stock P&S 1000, 2000, 3000 for easy installation

### Product Features

- Patented ball bearing slide system bolted to the floor
- The patented slide system allows the vehicles to “slide” effortlessly
- Constructed of 100% galvanized steel
- Integrated floor-mounted stop to regulate sliding distance
- Sold as single unit
- Attaches to the P&S 1000, 2000, and 3000 units. Must order as many extension rails as you have stock slides on the floor

### Product Applications:

- Private residential garages
- Storage facilities
- Commercial valet-operated parking garage facilities
- Limitless custom applications





**PARK & SLIDE**  
SLIDING SPACE SOLUTIONS

**THE ULTIMATE**  
PARKING SOLUTION

## P&S 7000

Vehicle "Slide Around" Turntable

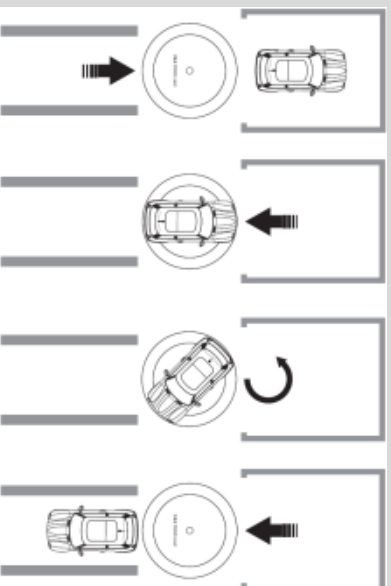
- The P&S 7000 is designed to open up previously unusable space by allowing a vehicle to be rotated, or slide around to pull into a space that once was unusable
- This can be applied to private residential homes or commercial parking garages where turning a vehicle around is close to impossible
- P&S 7000 requires no power or construction to install and operate
- Vehicles can be rotate 180 degrees with little effort
- Park and Slide will allow a vehicle to park on the slides located in an adjacent parking space, slide the car over into the blocked parking space, while still allowing another vehicle to be parked next to it in the available space.

### Product Features

- Patented ball bearing turntable system bolted to the floor
- Steel rotating plate deck interlocks with the turntable below
- The patented turntable system allows the vehicles to "rotate" effortlessly
- Constructed of 100% galvanized steel
- Accommodates the widest range of vehicle makes and models for day to day parking operation
- Eliminates the high cost of electrical and construction of powered turntables for the parking industry

### Product Applications:

- Private residential garages
- Storage facilities
- Commercial valet-operated parking garage facilities
- Limitless custom applications





**PARK & SLIDE**

SLIDING SPACE SOLUTIONS



**THE ULTIMATE**  
**PARKING SOLUTION**

# P&S 8000

Vertical “Narrow Space” Slide

- The P&S 8000 is designed to open up previously unusable space by allowing a vehicle to slide forward into parking spaces that were too tight before
- This can be applied to private residential homes or commercial parking garages where opening a door once the vehicle is parked is impossible
- P&S 8000 requires no power or construction to install and operate
- Vehicles can slide in and out the entire distance of the parking stall
- P&S 8000 uses the patented runners bolted to the floor that extend into the drive aisle
- The cars are driven onto the plates, drivers exit, and push the car forward into the tight parking stall

## Product Features

- Patented ball bearing slide system bolted to the floor
- Steel plates interlock with the slide system
- The patented turntable system allows the vehicles to “slide” effortlessly
- Constructed of 100% galvanized steel
- Accommodates the widest range of vehicle makes and models for day to day parking operation

## Product Applications:

- Private residential garages
- Storage facilities
- Commercial valet-operated parking garage facilities
- Limitless custom applications

